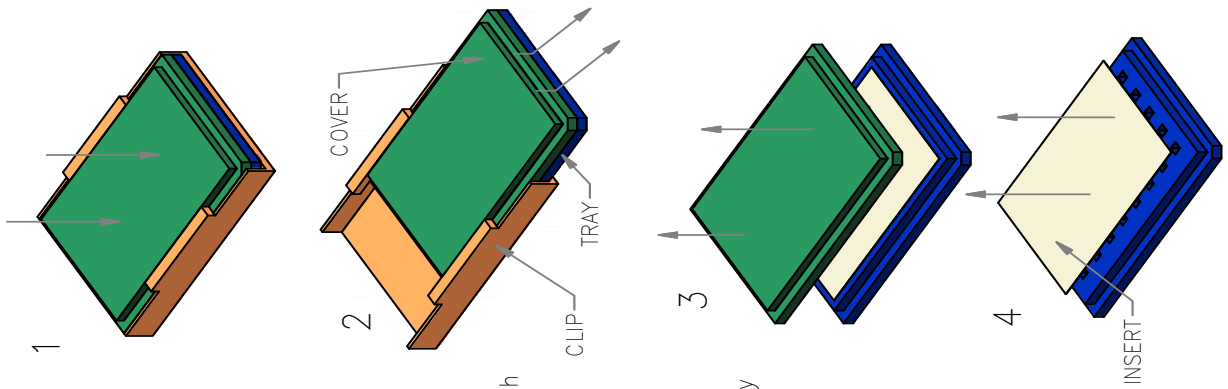




COMPONENT DISTRIBUTORS, INC.
 Since 1970
 www.cdiweb.com

Distributing Tomorrow's Technologies For Today's Designs
 Toll-Free: 1-800-777-7334

INSTRUCTIONS FOR OPENING
 "WAFFLE PACK" PACKAGING



STEP 1: Gently tap package in horizontal position to settle components.

STEP 2: Keeping package horizontal slide cover and tray away from clip.

Technique: Hold clip in palm with one hand, push tray and cover using thumb and forefinger with other hand.

STEP 3: Remove cover from tray exposing insert.

STEP 4: Carefully remove insert from top of tray revealing components in tray cavities.



QUALITY SYSTEM AS 9100 + ISO 9001 CERTIFIED/ENVIRONMENTAL SYSTEMS ISO 14001 CERTIFIED

Component Distributors Inc. (CDI)

Toll-Free: 1-800-777-7334 • E-Mail: sales@cdiweb.com

Web: www.cdiweb.com