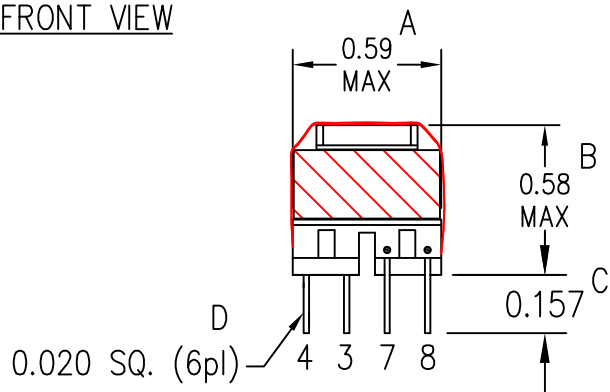




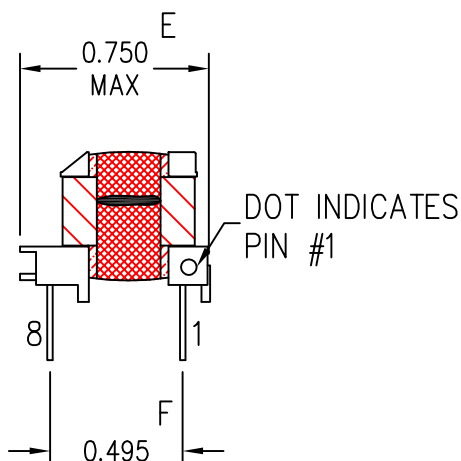
**RENCO ELECTRONICS, INC.**

595 INTERNATIONAL PL. • ROCKLEDGE, FLORIDA 32955  
 ph. (321)637-1000 fax (321)637-1600  
 web www.rencousa.com < > email engineering@rencousa.com

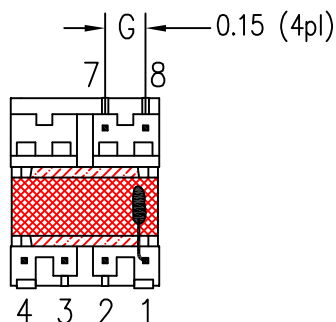
FRONT VIEW



SIDE VIEW



BOTTOM VIEW



PINS# 5 & 6 ARE OMITTED

ELECTRICAL TEST PARAMETERS:

INDUCTANCE @ 100kHz/0.1VAC

L(2-1)=1.62mH ±10%  
 RANGE: (1.45mH-1.78mH)

LEAKAGE INDUCTANCE @ 100kHz/0.1VAC

SHORT PINS: 7,8  
 Le(2-1)=140µH MAX

DC RESISTANCE OHMS (Ω) @ 25°C

RDC(2-1)=7.25Ω ±10%  
 (3-4)=1.00Ω ±15%  
 (8-7)=0.055Ω ±20%

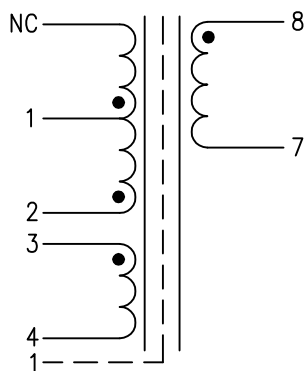
HIPOT

APPLY: 3750VAC @ 60Hz FOR 2 SEC  
 BTWN 1,4 TO 8

SELF RESONANT FREQUENCY

SRF(2-1)=550kHz MIN

SCHEMATIC



NOTE: THIS COMPONENT IS CONSTRUCTED USING A UL CLASS B (130°C) INSULATION SYSTEM DESIGNATED BY R130, TABLE II UNDER E73291 CLASS F (155°C) AVAILABLE UPON REQUEST

COMPONENT WEIGHT: 8g

RoHS COMPLIANT: YES  NO

- TOLERANCES -  
 UNLESS OTHERWISE SPECIFIED DIMENSIONS ARE IN INCHES

.XX=±	.03
.XXX=±	.015
ANGULAR=±	3°
FRACTIONAL=±	1/16"

DWN BY IAR	DATE 8/27/09	CUSTOMER NAME POWER INTEGRATIONS
ENGR CONTACT I. RENSING	REV ORIG	DESCRIPTION DER-227 TRANSFORMER
SIZE A	SCALE= NONE	THIS DOCUMENT IS FOR REFERENCE ONLY
		PAGE 1 of 1

COMPONENT DRAWING

FILE NAME

RLC-1227