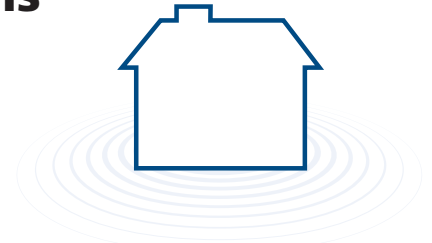




Energy Management Solutions for the Wireless Home

- Automated Meter Reading (AMR)**
- Advanced Metering Infrastructure (AMI)**
- Wireless Local Area Networks (WLAN)**
- ZigBee® (IEEE 802.15.4)**

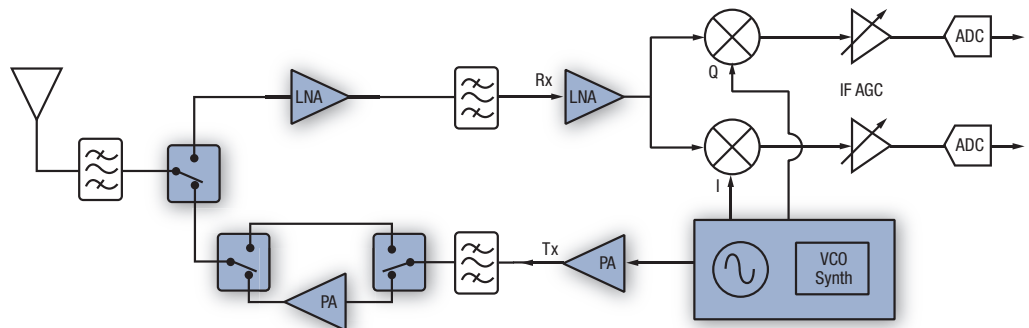


Skyworks is committed to supporting designers with leading edge performance products for designs targeted at 450, 900, and 2400 MHz radios. Our key product focus is in the following areas of the radio:

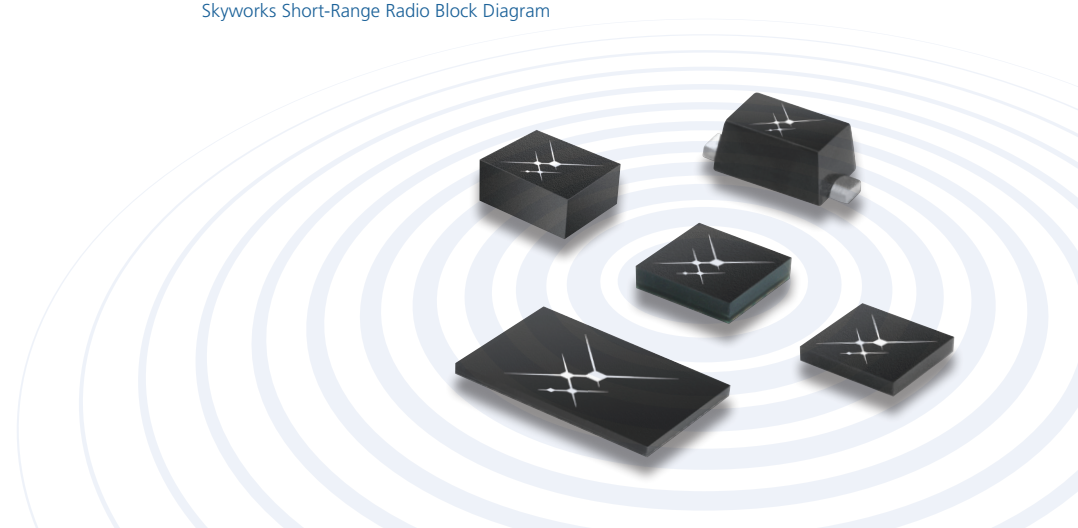
- Power Amplifiers (PAs) and Drivers
- Switches
- Phase Lock Loops (PLLs)
- Voltage Control Oscillators (VCOs)
- Diodes
- Front-End Modules (FEMs)

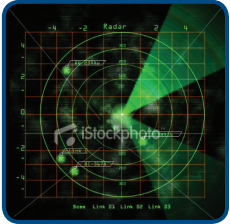
These solutions are ideal for applications ranging from wireless local area networks (WLAN), automated metering infrastructure (AMI), automated meter reading (AMR), professional mobile radio (PMR), and other ISM band applications.

For complete product specifications and our latest product offering, please visit our Web site at www.skyworksinc.com.



Skyworks Short-Range Radio Block Diagram



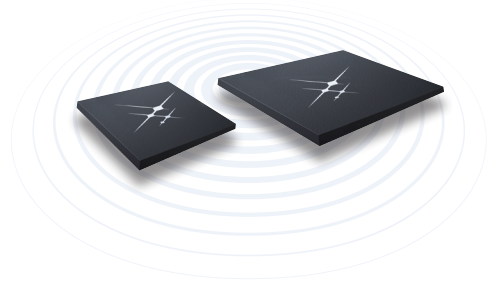


Custom AMR Front-End Modules

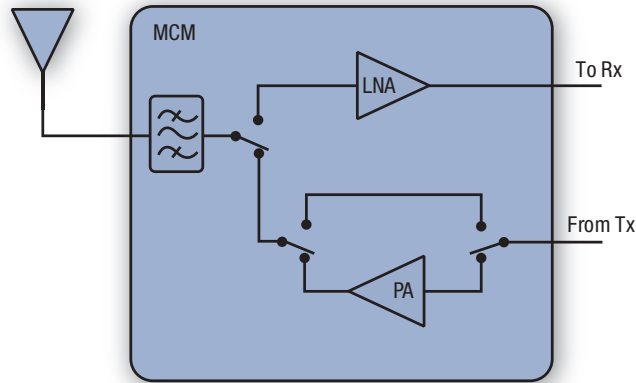
Skyworks custom FEMs allow for significant size and cost reduction. In addition, many of Skyworks FEMs are designed to allow for “plug and play” functionality, thus drastically reducing the design time for new products. Customized FEMs can be created depending on transceiver implementation requirements. Various modules are being targeted at 450, 900, and 2400 MHz frequency bands.

Possibilities for Integration Include:

- T/R Switches
- Power Amplifiers
- Low Noise Amplifiers (LNAs)
- Mixers
- Harmonic Filters



For more information on how Skyworks can address your needs with front-end module technology, please contact us at sales@skyworksinc.com.



Custom Front-End Module (FEM) Block Diagram

Front-End Modules (FEMs)

Part Number	Function	P _{out} (dBm)	Tx Gain (dBm)	I _{cc} (mA)	Frequency Band (MHz)		
					450	900	2400
SKY65249	WLAN Front-End Module	21.0	26.0	210.0			•
SKY65325	Tx / Rx Front-End Module	30.0	31.0	660.0	•		•

Amplifiers

Part Number	Function	Gain (dB)	P _{1 dB} (dBm)	I _{CQ} (mA)	Package (mm)	Frequency Band (MHz)		
						450	900	2400
SKY65116	2-Stage Power Amplifier	33.0	33.0	320	MCM-8.0 x 8.0	•		
SKY65111	3-Stage Power Amplifier	39.5	29.5	250	QFN-3.0 x 3.0		•	
SKY65146	3-Stage Power Amplifier	38.7	35.0	329	MCM-10.0 x 14.0		•	
SKY65006	3-Stage Power Amplifier	27.5	23.4	50	QFN-3.0 x 3.0			•
SKY65028	Single Stage Driver	22.0	24.0	125	SOT-89	•	•	•
SKY65009	Single Stage Driver	17.0	25.0	110	SOT-89	•	•	•
SKY65131	2-Stage Power Amplifier	26.0	28.0	150	MCM-4.0 x 4.0			•
SKY65132	3-Stage Power Amplifier	33.0	30.0	330	MCM-6.0 x 6.0			•
SKY65135	3-Stage Power Amplifier	33.0	33.0	400	MCM-6.0 x 6.0			•

Switches

Part Number	Function	Insertion Loss (dB)	Isolation (dB)	Input IP3 (dBm)	Package (mm)	Frequency Band (MHz)		
						450	900	2400
SKY13268-344LF	SPDT Switch, Low loss	0.3	25	50	SOT-666 1.5 x 1.2	•	•	•
SKY13270-92LF	SPDT Switch, 5 W	0.3	30	–	SC-70 2.0 x 1.25	•	•	•
SKY13274-349LF	SPDT Switch	0.5	30	45	QFN-8 2 x 2		•	•
SKY13278-313LF	SPDT Switch, 10 W	0.4	32	–	QFN-6 2 x 3	•	•	•
SKY13277-355LF	SP3T Switch, High Isolation	0.9	62	43	QFN-20 5 x 5	•	•	•
SKY13309-370LF	SP3T Switch, Low Loss, Low Profile	0.5	25	–	QFN-9 2 x 2	•	•	•
SKY13267-321LF	DPDT Switch	0.7	32	49	QFN-12 3 x 3	•	•	•

Synthesizers

Part Number	Function	Phase Noise (dBc/Hz)	Direct Modulation	I _{dd} (mA)	Package (mm)	Frequency Band (MHz)		
						450	900	2400
SKY72300-21	Dual Frac-N Synthesizer	-91.0	FSK, FM, GMSK	12.5	TSSOP 9.7 x 6.4	•	•	
SKY72300-362	Dual Frac-N Synthesizer	-91.0	FSK, FM, GMSK	12.5	QFN 4.0 x 4.0	•	•	
SKY72301	Dual Frac-N Synthesizer	-96.0	FSK, FM, GMSK	11.0	TSSOP 9.7 x 6.4	•	•	
SKY72302	Dual Frac-N Synthesizer	-80.0	FSK, FM, GMSK	18.0	TSSOP 9.7 x 6.4	•	•	•
SKY72310	Single Frac-N Synthesizer	-91.0	FSK, FM, GMSK	12.5	QFN 4.0 x 4.0	•	•	

Voltage Controlled Oscillators (VCOs)

Part Number	Function	Phase Noise (dBc/Hz)	Output Power (dBm)	I _{dd} (mA)	Package (mm)	Frequency Band (MHz)		
						450	900	2400
SKY73120	CMOS VCO	-110 @ 25 kHz Offset	0.0	26.0	MCM 6.0 x 6.0		•	

Diodes

Part Number	Function	Voltage		Part Specification	Package (mm)	Frequency Band (MHz)		
		Breakdown	Capacitance			450	900	2400
SMV1413 Series	Tuning	30.0 V @ 10 μA	4.10 pF @ 4 V	Q @ 4 V = 2400	SOT-23 2.9 x 2.35		•	
SMP1320 Series	TR Switch	50.0 V @ 10 μA	0.30 pF @ 30 V	R _s @ 10 mA = 0.9 Ohms	SC-79 1.6 x 0.8		•	•
SMS7630 Series	Detector	1.0 V @ 100 μA	0.30 pF @ 0.15 V	V _f @ 0.1 mA = 60–120 mV	SOT-23 2.9 x 2.35	•	•	•



Skyworks Green™ products are lead (Pb)-free, Restriction of Hazardous Substances (RoHS)-compliant, conform to the EIA/EICTA/JEITA Joint Industry Guide (JIG) Level A guidelines, and are free from antimony trioxide, and brominated flame retardants.



www.skyworksinc.com

Skyworks Sales Offices

USA

Headquarters

Skyworks Solutions, Inc.
20 Sylvan Road
Woburn, MA 01801
Telephone: (781) 376 3000
Fax: (781) 376 3100
sales@skyworksinc.com

Skyworks Solutions, Inc.
5221 California Avenue
Irvine, CA 92617
Telephone: (949) 231 3000
Fax: (949) 231 3206
kirat.hatzfeld@skyworksinc.com

Skyworks Solutions, Inc.
5520 Adamstown Road
Adamstown, MD 21710
Telephone: (301) 695 9400
Fax: (301) 695 7065
transtech@skyworksinc.com

EUROPE

Skyworks Solutions, Inc.
Parallevej 10
Lyngby 2800, Denmark
Telephone: +45 45267945
Fax: +45 45267710
jan.thoning@skyworksinc.com

Skyworks Solutions, Inc.
34 Avenue Franklin Roosevelt
Suresnes 92150, France
Telephone: +00 33 1 41443663
Fax: +00 33 1 41443661
sophie.petard@skyworksinc.com

Skyworks Solutions, Ltd.
Abbey Manor Business Centre
The Abbey
Preston Road,
Yeovil, Somerset BA20 2EN
UK
Telephone: +44 1935 848546
Fax: +44 1935 431269
mike.carroll@skyworksinc.com

ASIA • PACIFIC

China

Skyworks Solutions, Inc.
Room 2506-07
LT Square
500 Chengdu North Road
Shanghai, 200003, China
Telephone: +862 133134590
ext. 60167
Fax: +862 163607147
elaine.zhao@skyworksinc.com

Skyworks Solutions, Inc.
Room 1912-1913
19/F, International Chamber of
Commerce Building Phase B
Fuhua Yi Road, Futian District
Shenzhen 518048 PRC
Telephone: +86 755 8293 1833
ext. 60016
Fax: +86 755 8293 1633
jesse.li@skyworksinc.com

Skyworks Solutions, Inc.
Suite 1212, COFCO, No. 8
Jianguomennei Avenue
Dongcheng District
Beijing, 100005 PRC
Telephone: +861 31334590-61608
Fax: +861 065261358
david.qi@skyworksinc.com

Japan

Skyworks Solutions, Inc.
Opera City Tower
36 Floor, 3-20-2
Nishi-Shinjuku, Shinjuku-Ku
Tokyo 163-1436 Japan
Telephone: +81 3 5308 5188
Fax: +81 3 5308 5190
satomi.tsukamoto@skyworksinc.com

Korea

Skyworks Solutions, Inc.
Sam Hee Bldg.
559-10, 13F
Bumeo-1 Dong, Soosung-Gu
Daegu 706-011 Korea
Telephone: +825 3746 7141
Fax: +825 3745 1440
hannah.kim@skyworksinc.com

Skyworks Solutions, Inc.
18F, Posteel Tower
753-3, Yeoksam-Dong
Seoul, Korea 135-923
Telephone: +822 3457 8813
Fax: +822 553 5459
kj.lee@skyworksinc.com

Singapore

Skyworks Solutions, Inc.
Singapore Representative Office
NSC Executive Centre
Suite 40
Level 28 Gateway East
152 Beach Road
Singapore 189721
Telephone: 65-68275647
Fax: 65-63968340
peter.gan@skyworksinc.com

Taiwan

Skyworks Solutions, Inc.
4 F, #198, Section 2
Tun Hwa. S. Road
Taipei 106, Taiwan ROC
Telephone: +8862 5559 8990
Fax: +8662 2735 6508
diana.wang@skyworksinc.com