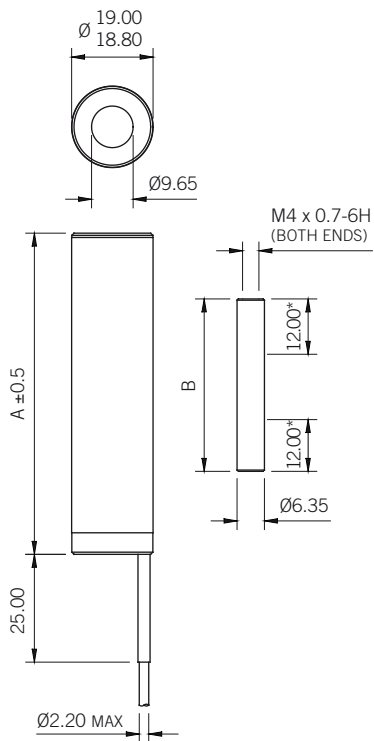
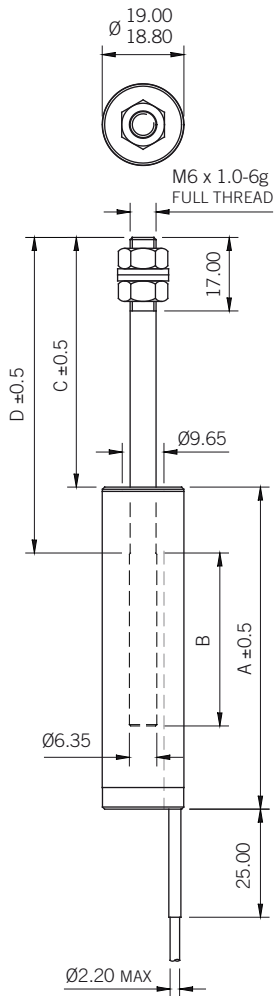


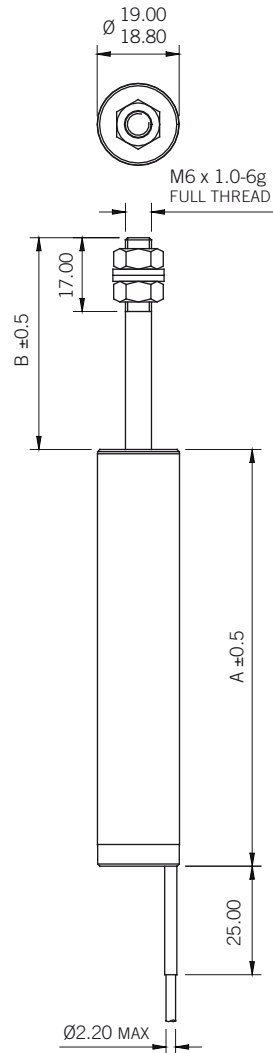
Free Core



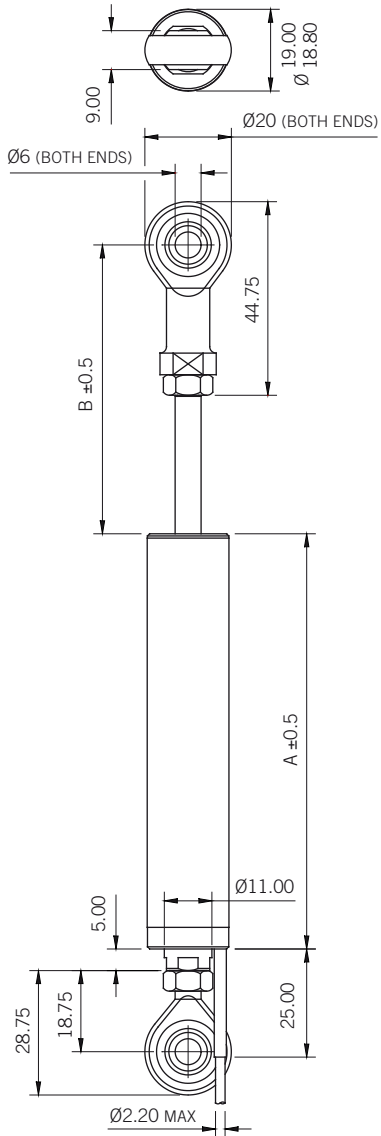
Free Core with Carrier



Guided



Guided with Universal Joints



Guided Spring Push

