

LIGHT ENGINE DOB 120 x 20mm 500lm

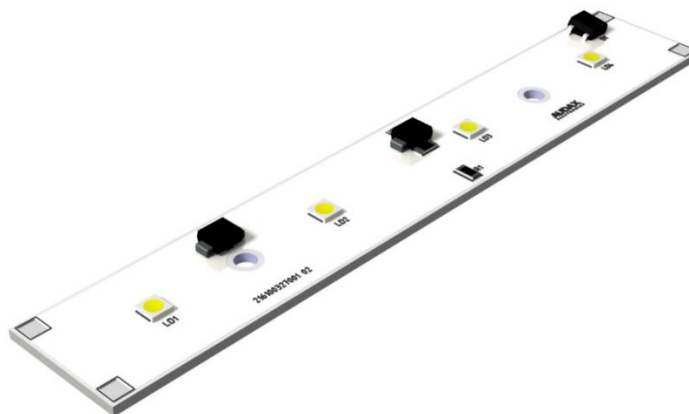
Issue Date	Jul - 2017
Issued by	Wilbur C.

Applications

- All decorative lighting fixtures

Characteristics

- Module Efficacy – up to 90 lm/W
- L70 > 20.000 hours
- CRI > 80
- 03 SDCM
- CCTs 2.700K / 5.000K
- 01 years warranty



MODULE TEMPERATURES

Parameter	Nominal	Max
Tc (case temperature at Tc point)	60 °C	85 °C

TECHNICAL INFORMATION

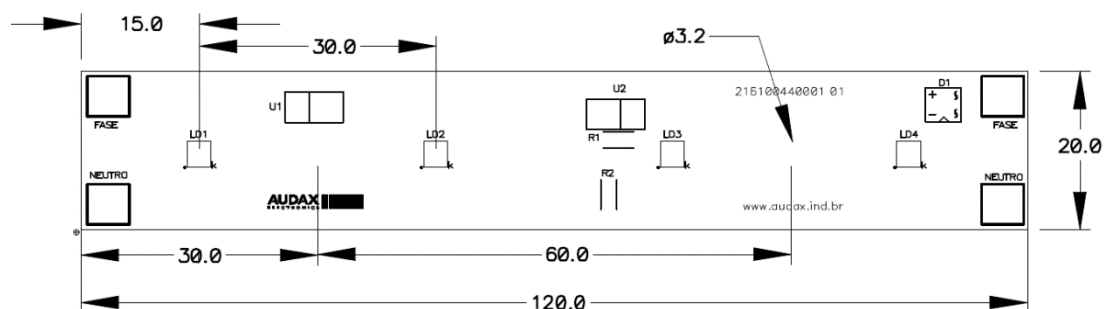
CCT	LED Driver Current (mA)	# LEDs	Luminous Flux (lm)*	Forward Voltage (V)	Tj (°C)	Power (W)	Efficacy (lm/W)*	Part Number
2.700 K	22	4	443	127	60	5,5	80,5	80035300100
5.000 K	22	4	507	127	60	5,5	92,2	80089900100
2.700 K	22	4	443	220	60	5,5	80,5	80034500100
5.000 K	22	4	507	220	60	5,5	92,2	80074200100

LED TYPE

Manufacturer: Nichia Corporation

LED Series: 757

MECHANICAL DRAWING



Unit: mm

WIRING

Specification item	Value	Unit	Condition
Input wire cross- section	0.25...0.75 18...24	mm ² AWG	Solid wire
Input wire strip length	7.5...8.5	mm	Solid wire
Input wire cross-section	0.33...0.5 20...22	mm ² AWG	Stranded wire
Input wire strip length	7.5...8.5	mm	Stranded wire