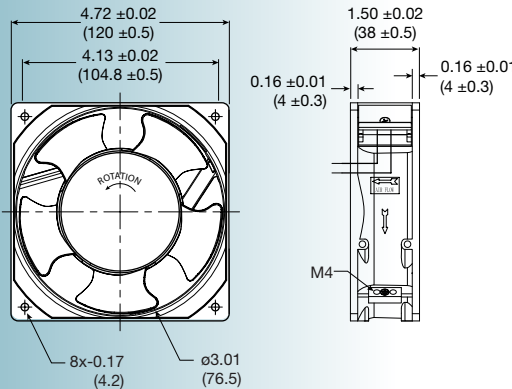
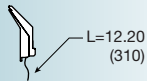


## LPC12A series



Terminal



Lead Wire

**Size: (120 x 120 x 38mm)  
4.72 x 4.72 x 1.50 inches**

**Features:** low power consumption, global input voltage

**Operating voltage (VAC):** 90 ~ 264 VAC

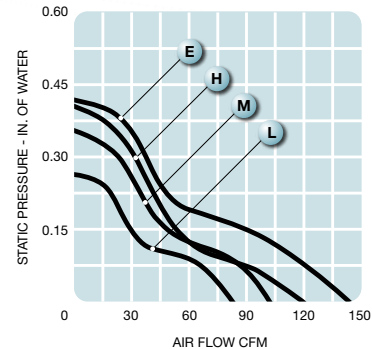
**Construction:** magnesium die cast frame with UL94V-0 plastic impeller

**Bearing option:** motor quality ball bearings

**Motor:** electronically commutated

**Air flow:** air exhaust over struts

**Connection:** terminal type or lead wire



Model No.	Rated Voltage V	Freq. HZ	Input Power W	Speed RPM	Air Volume		Max. Static Pressure (H <sub>2</sub> O)		Sound Noise dbA	Weight g
					M <sup>3</sup> /Min.	CFM	MM	INCH		
LPC12A99-_L	90 ~ 264	50/60	6	2,800	2.4	84	7.0	0.28	43	370
LPC12A99-_M	90 ~ 264	50/60	8	3,200	2.8	100	8.5	0.34	47	370
LPC12A99-_H	90 ~ 264	50/60	10	3,600	3.4	120	9.8	0.39	52	370
LPC12A99-_E	90 ~ 264	50/60	12	4,000	4.0	140	11.0	0.44	56	370