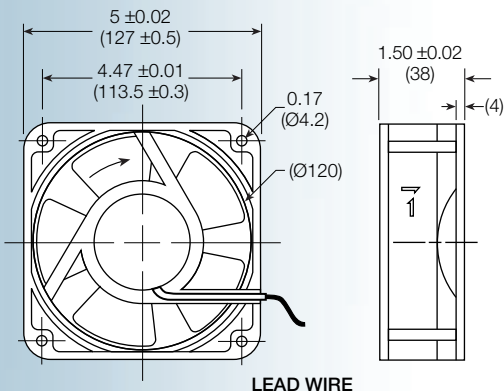
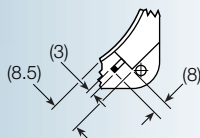


UF13A series



LEAD WIRE



TERMINAL TYPE

Size: (127 x 127 x 38 mm)
5.0 x 5.0 x 1.5 inches

Operating voltage (VAC): 115 or 230

Construction: aluminum die cast frame;
 UL94V-0 PBT impeller

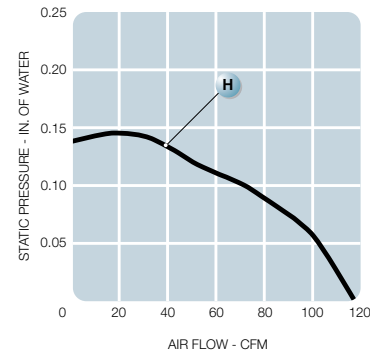
Bearing option: motor quality ball bearings or
 sintered bronze sleeve

Motor: shaded pole

Air flow: exhaust over struts

Connection: terminal or 22 AWG lead wire

Protection: impedance



Model No.	Rated Voltage V	Freq. HZ	Input Power W	Rated Cur. A	Locked Cur. A	Speed RPM	Air Volume		Max Static Pressure (H ₂ O)		Sound Noise dB	Wt OZ
							M ³ /Min	CFM	MM	INCH		
UF13A12-__H	115	60	12	0.16	0.23	3,000	3.4	120	3.5	0.14	50	19.4
UF13A23-__H	230	60	15	0.09	0.11	3,000	3.4	120	3.5	0.14	50	19.4