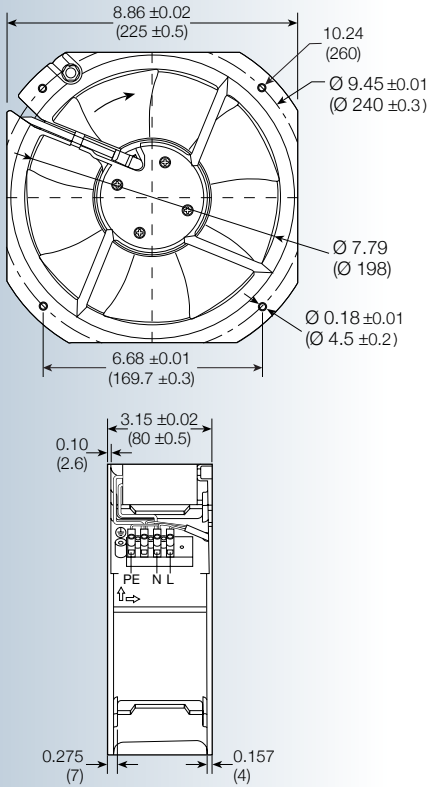


UF200BMB-H2 series

-H2C2A (Standard with Frame)



Size: (225 X 225 x 80 mm)
8.86 x 8.86 x 3.15 inches

Features: metal frame and impeller; Class F insulation;
-20°C ~ 70°C operating temperature range;
high-temp bearing lubricant

Operating Voltage (VAC): 115 or 230

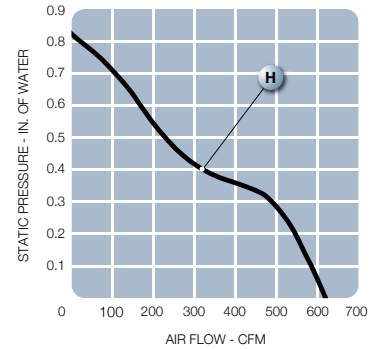
Bearing Option: motor quality ball bearings

Motor: capacitor start

Airflow: exhaust over struts

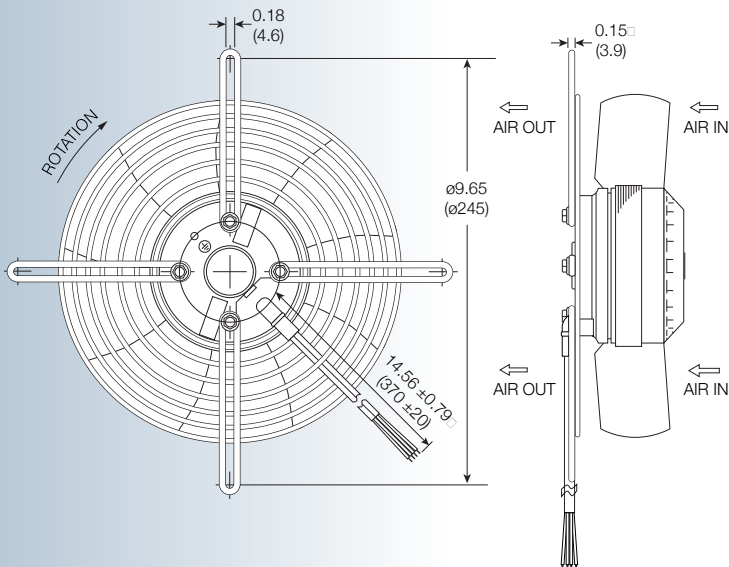
Connection: terminals/lead wires

Protection: thermal



Model No.	Rated Voltage V	Freq. HZ	Input Power W	Rated Cur. A	Locked Cur. A	Speed RPM	Air Volume		Max. Static Pressure (H2O)		Sound Noise db
							M ³ /Min.	CFM	MM	INCH	
UF200BMB12-H2	115	60	100	0.88	1.31	3000	17.7	625	20.5	0.81	61
UF200BMB23-H2	230	60	80	0.37	0.61	3000	17.7	625	20.5	0.81	61

-H2C2B (With Guard/No Frame)



-H2C2E (Without Frame or Guard)

