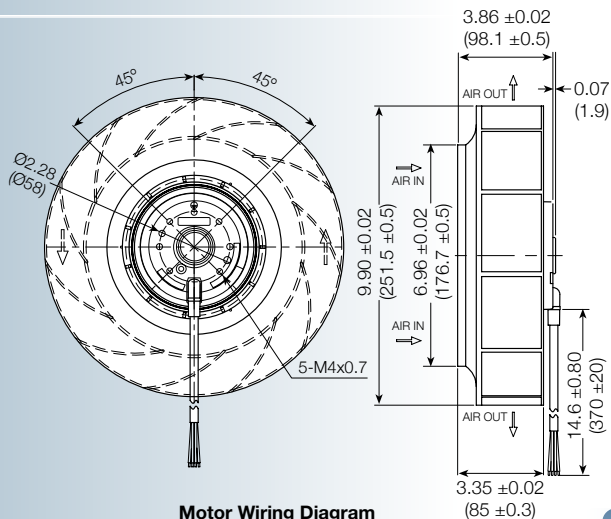
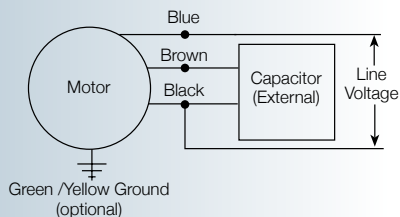


UF250APA series



Motor Wiring Diagram



**Size: (251 dia. x 98 mm)
9.90 dia. x 3.86 inches**

Features: backward curved impeller

Operating voltage (VAC): 115 or 230

Operating temp: -40° C ~ 50° C

Construction: aluminum die cast motor base
UL94V-0 reinforced nylon impeller

Bearing option: motor quality ball bearings

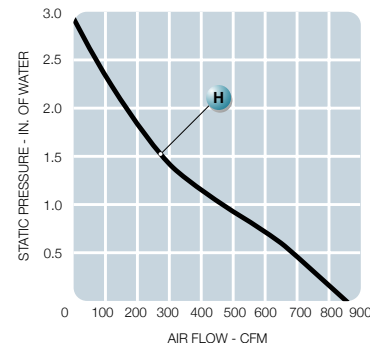
Motor: 2 pole permanent split capacitor,
single phase

Air flow: centrifugal

Connection: AWM 2517 lead wires;
nom. 14 inches

Protection: thermal

Insulation: class B



Model No.	Rated Voltage V	Freq. HZ	Input Power W	Rated Cur. A	Locked Cur. A	Speed RPM	Air Volume		Max Static Pressure (H ₂ O)		Sound Noise dB	Wt LBS
							M ³ /Min	CFM	MM	INCH		
UF250APA12-H1C2A	115	60	240	2.10	3.00	2,700	24.0	850	73.6	2.9	76	6.8
UF250APA23-H1C2A	230	60	240	1.00	1.52	2,700	24.0	850	73.6	2.9	76	6.8