

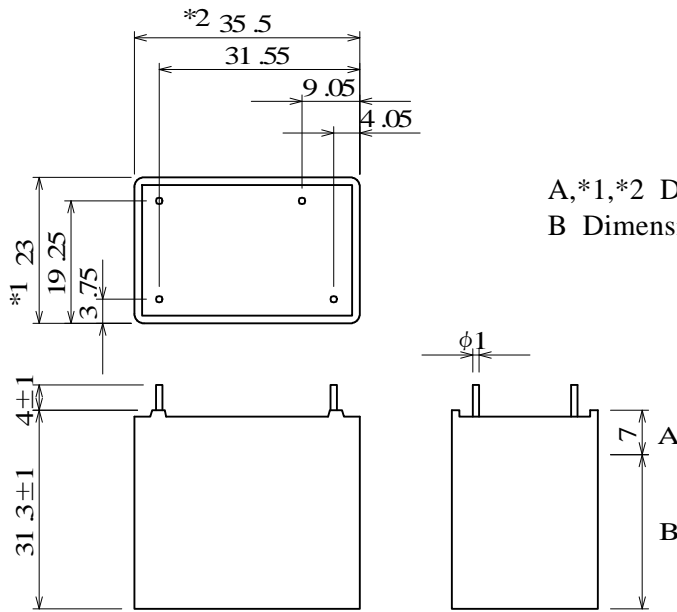
2016-01-27
RS-852
Second Edition

SPECIFICATION
R·V·M-431·821SU



- 1.Application Surge protective device connected to low-voltage power distribution systems.
- 2.Rated voltage AC250 V 50/60 Hz
- 3.Construction Voltage limiting type SPD, An SPD that incorporates varistors.
- 4.Outline dimension

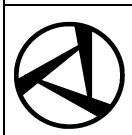
Unit:mm



A,*1,*2 Dimension tolerance : ±1.0
B Dimension tolerance : ±0.5

5.Electrical characteristics

	1-2-3-1	1,2- $\frac{1}{1}$	3- $\frac{1}{1}$
1)Maximum continuous operating voltage (Uc)	250 V	—	—
2)DC operating voltage	430 V±10%	1250 V±10%	820 V±10%
3)Impulse discharge current (im)	2500 A	2500 A	2500A
Waveform 8/20 μ s			
4)Withstanding impulse voltage (Vm)	12 kV	12 kV	12 kV
Waveform 1.2/50 μ s			
5)Response time (T)	about 50 ns	about 50 ns	about 50ns
6)Capacitance (C)	(850 pF)	(280 pF)	(380 pF)
Measured frequency 1 kHz-1.5 V			



DRAWN
E. Sunaga

APPROVED
S. Kushida

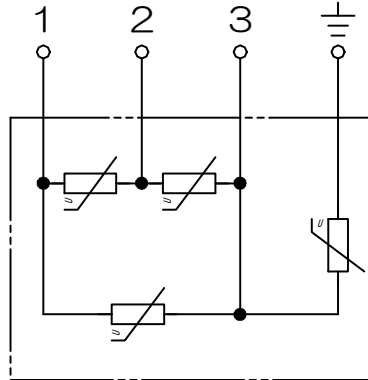
APPROVED
Y. Yamagishi

SPECIFICATION
R·V·M-431·821SU



6. Operating temperature range -20 °C to +70 °C

7. Circuit diagram



8. Appearance

1) Weight About 42 g

2) Marking

1 SURGE PROTECTOR 3
R·V·M-431·821SU
250V~ 50/60Hz
Ⓜ OKAYA
2 JAPAN
LOT No.

9. Safety standard

Standard	File No.
UL1449 3rd Edition, Type Other	E322107

Remark : This specification is subject to change without prior notice,
for improvement purpose.