



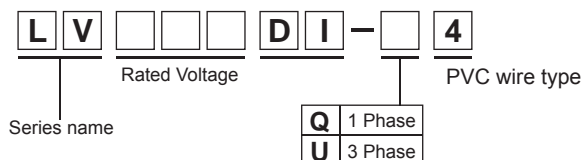
Features

- SPD with a fail safe function to prevent short-circuit (separation of circuit and element is visually confirmable)
- Compliance with IEC 61643-1 that meets the new JIS standards
- Against indirect lightning surge for single phase / three phase power supplies
- Quick response for surge
- Impulse current capacity 8/20 μ s-5,000A
- Impulse test category: Class II (Type II)
- Every pathway consists of same elements. Between line and line/between lines and ground can protect as the same level.

Applications

- Tapping machine, NC machine, other machine tools
- Lithography equipment, Washing device, IC tester
- Injection molding machine, Winding machine, Surface mounter
- Vehicle air conditioner
- Servo amplifier
- Electric facility, Industrial equipment

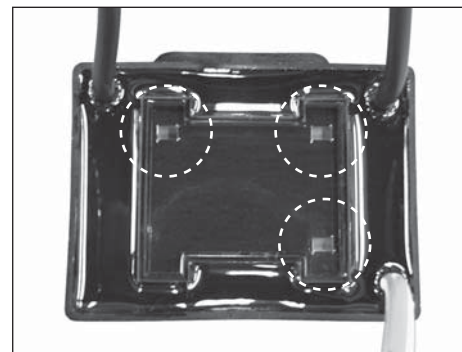
- Model numbering system



Safety Standard		File No.
UL	:UL1449	E322107
cUL	:C22.2 No.8	
SEMKO	:IEC61643-1:2005 2nd	SE-57200
	:EN61643-11:2002 +A11	815201



- Action indication



Status

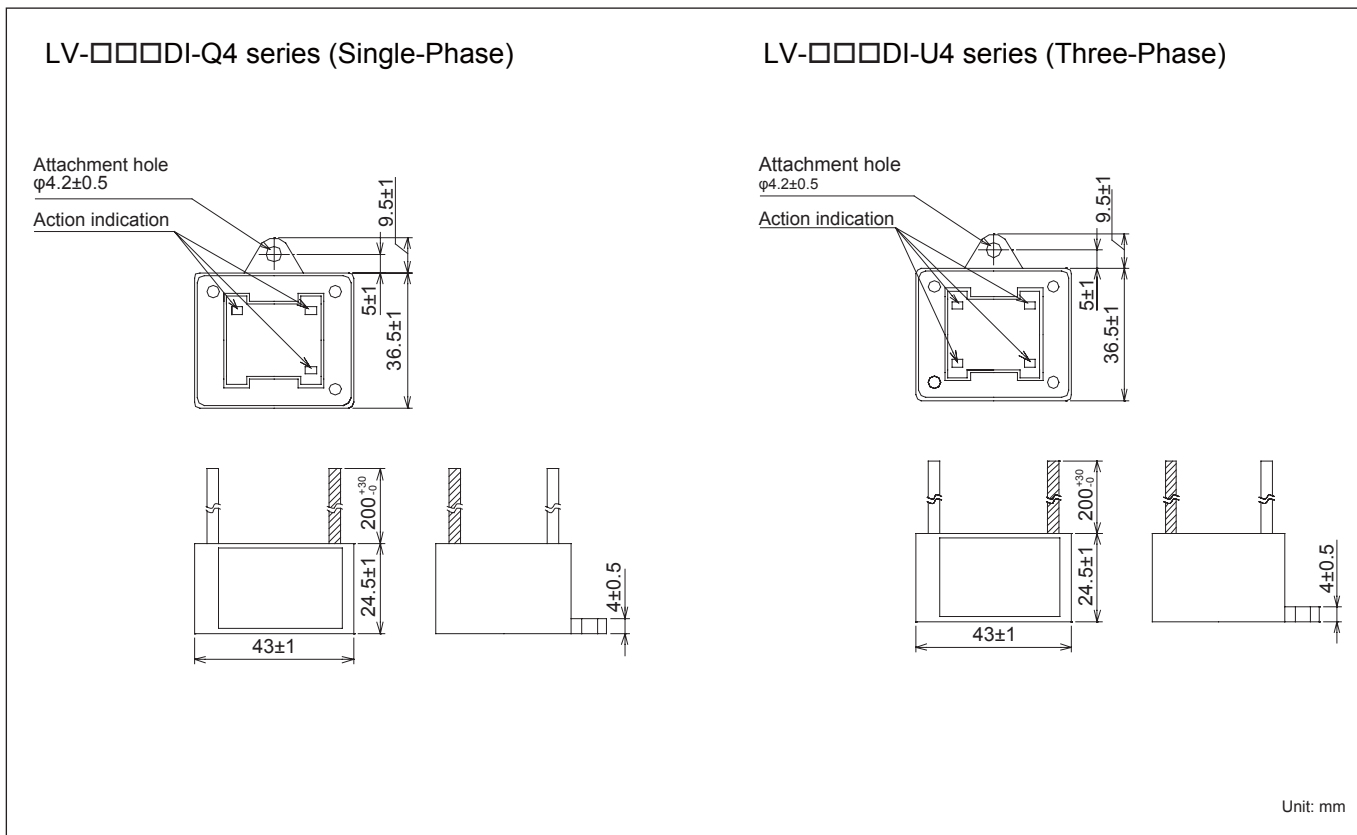
Green: Normal
No Green: Abnormal

Electrical Specifications

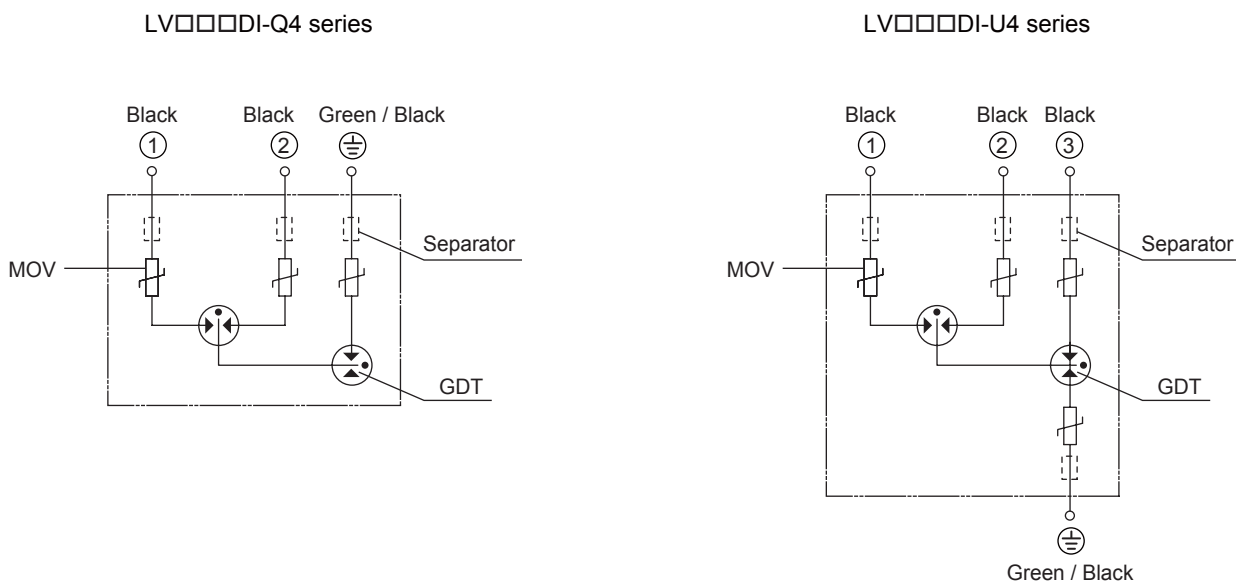
Safety Standard	Model Number	Rated Voltage 50/60Hz		DC Breakdown Voltage (V)	Voltage Protection Level (V)	Normal Discharge Current 8/20 μ s (A)	Max. Discharge Current 8/20 μ s (A)	Surge Current Life 8/20 μ s-1,000A
	LV150DI-Q4	Single Phase	AC150V	450 \pm 25%	1,200	2,500	5,000	Approx. 500 times
	LV275DI-Q4	Single Phase	AC275V					
	LV275DI-U4	Three Phase						
	LV480DI-Q4	Single Phase	AC480V	1,400 \pm 25%	2,000			
	LV480DI-U4	Three Phase						
	LV550DI-U4	Three Phase	AC550V	1,600 \pm 25%	2,500			



● Dimensions



● Circuit



* There is no problem even if the connecting cable (Black) is connected with every parts.