



Features

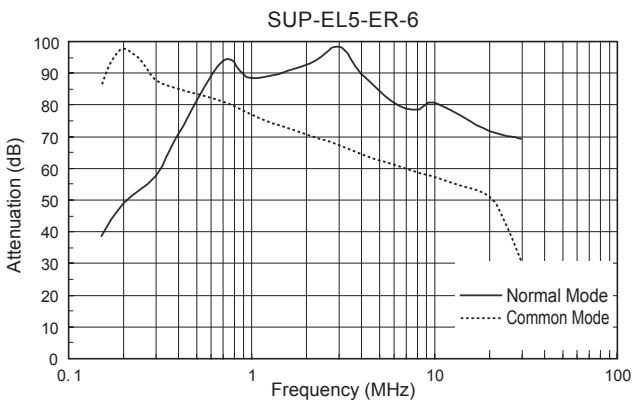
- Uses wiring-easy terminal block.
- The two stage super high μ core allows high attenuation over a broad band range.
- Wide range lineup (5 to 30A).
- Bleeder resistor for electric shock protection.

Applications

- Information processing devices, Office appliances, Various control systems and etc.

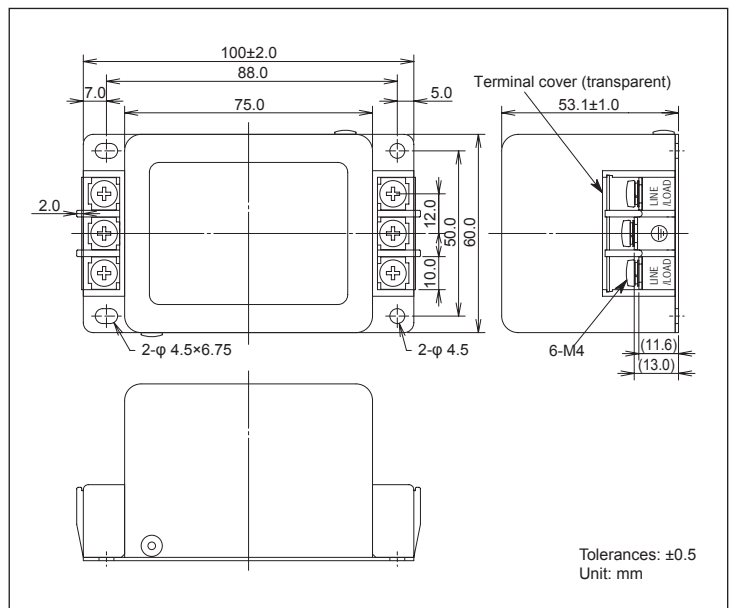


Static characteristics

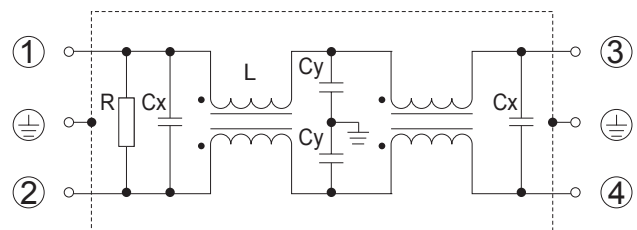


Safety Standard		File No.
UL	:UL1283	E78644
cUL	:C22.2, No.8-M1986	
TÜV	:EN60939	R2-50006835

Dimensions (5~30A)



Circuit (5~30A)



Electrical Specifications

Rated Voltage **250VAC**

Safety Standard	Model Number	Rated Current (A)	Test Voltage	Insulation Resistance	Leakage Current max.	Voltage Drop max.	Temperature Rise max.	Operating Temperature (°C)	Insertion losses		Weight typ.(g)
									Normal Mode (MHz)	Common Mode (MHz)	
	SUP-EL5-ER-6	5	Line to Case 2,500VAC 50/60Hz 60sec	Line to Case 100MΩmin (at 500VDC)	1mA (at 250VAC 60Hz)	1.0VAC	45K	-25 ~ +55 (100°C with Temp. rise)	0.4 ~ 30	0.15 ~ 10	500
	SUP-EL10-ER-6	10							0.6 ~ 30	0.3 ~ 10	
	SUP-EL15-ER-6	15							0.7 ~ 30	0.4 ~ 10	
	SUP-EL20-ER-6	20							*1.0 ~ 30	*1.0 ~ 20	
	SUP-EL30-ER-6	30									

Guaranteed attenuation is more than 40dB in normal mode and common mode. (*more than 35dB)
Available leakage current 70 μ A max.(250VAC, 60Hz) type for medical equipments and low leakage current equipments.