



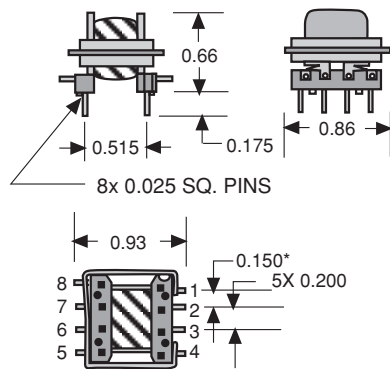
RL-5530

RL-5531

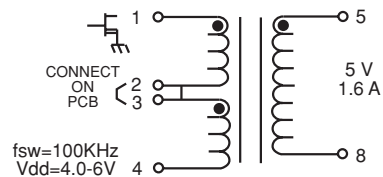
FLYBACK TRANSFORMER FOR NATIONAL SEMICONDUCTOR®

New LM258X Simple Switcher™ Series

RL-5530 LM-258X-T1



*SP For Keying



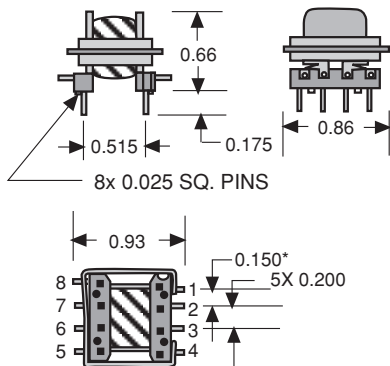
TEST MEASUREMENTS

L (1-4)=22.0 μ H \pm 10%
@ 0.1 VRMS 10 KHz

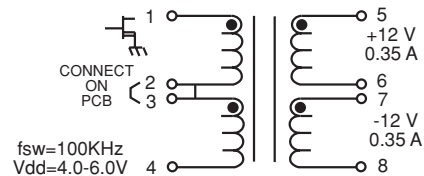
RDC (1-4)=0.022 OHMS \pm 15%
@25°C

HIPOT: 600 VRMS BTWN (1-2)
AND OTHER WDGS.

RL-5531 LM-258X-T2



*SP For Keying



TEST MEASUREMENTS

L (1-4)=22.0 μ H \pm 10%
@ 0.1 VRMS 10 KHz

RDC (1-4)=0.022 OHMS \pm 15%
@25°C

HIPOT: 600 VRMS BTWN (1-2)
AND OTHER WDGS.



RENCO ELECTRONICS, INC.

595 International Place, Rockledge, FL 32955-4200 USA

(321) 637-1000 • Toll Free Engineering Hot line 800-645-5828

Fax: (321) 637-1600 Web Site: www.rencousa.com E-mail: sales@rencousa.com