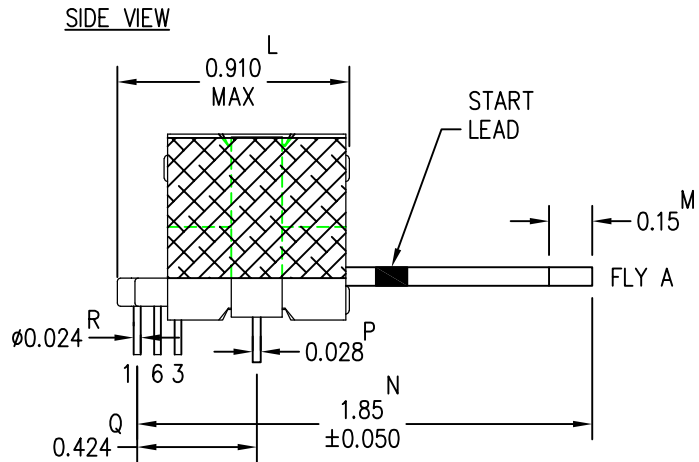
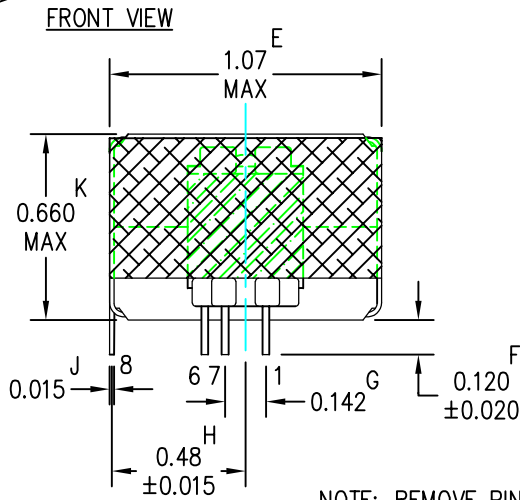


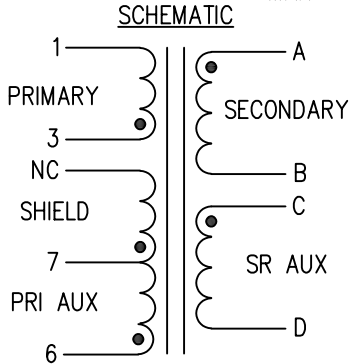
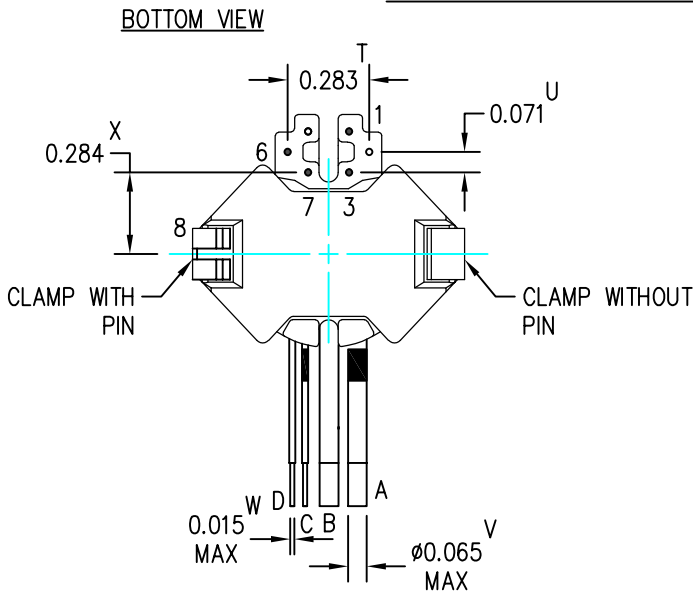


RENCO ELECTRONICS, INC.
A STANDEX ELECTRONICS COMPANY

595 INTERNATIONAL PL. ROCKLEDGE, FL 32955
 ph. 321-637-1000 fax 321-637-1600
 www.rencousa.com / www.standexelectronics.com <> email: engineering@rencousa.com



NOTE: REMOVE PINS 2 & 5
 FLUX BAND CONNECTION PIN 8



ELECTRICAL TEST PARAMETERS:

INDUCTANCE @ 150kHz/0.1VAC
 L(3-1)=110µH ±5%

LEAKAGE INDUCTANCE @ 150kHz/0.1VAC
 SHORT PINS: A,B
 LL(3-1)=2.5µH MAX

DC RESISTANCE OHMS (Ω) @ 25°C
 DCR: (3-1)=0.100Ω ±15%
 (6-7)=0.020Ω ±15%
 (A-B)=0.007Ω MAX
 (C-D)=0.120Ω ±15%

HIPOT
 APPLY: 3000VAC @ 60Hz FOR 1 SEC, 1mA MAX
 BTWN 1,6 TO A,C

APPLY: 1000VDC FOR 1 SEC, 1mA MAX
 BTWN 1 TO 6 AND 1,6 TO CORE

NOISE BALANCE TEST (LIMITED AQL)
 SHORT PINS 7 TO 1 AND A TO D
 APPLY: 2.00V @ 100kHz TO PINS (3-1)
 Vout: (A-1)=10mV MAX (OUT OR IN PHASE)

COURTESY DRAWING

FILE NAME
 RLTI-1403

-TOLERANCES-		CUSTOMER NAME HUBBELL		THIS COURTESY PRINT IS PROPRIETARY AND CONFIDENTIAL NO PART OF THIS COURTESY PRINT MAY BE DISCLOSED TO A THIRD PARTY WITHOUT PRIOR WRITTEN CONSENT FROM RENCO ELECTRONICS INC.	
UNLESS OTHERWISE SPECIFIED DIMENSIONS ARE IN INCHES		DESCRIPTION ACF FLYBACK TRANSFORMER, 65W			
.XX=±	0.03	MANAGER CONTACT G. JONES	DWN BY A. LECZNAR	THIS DOCUMENT IS FOR REFERENCE ONLY	
.XXX=±	0.015	DATE 09/22/23	SCALE NTS		
ANGULAR=±	3°	RoHS COMPLIANT: YES <input checked="" type="checkbox"/> NO <input type="checkbox"/>		REV A	PAGE 1 OF 1
FRACTIONAL=±	1/16"				