

PART NO. : WV-41IN2OUT-RK-01-B

APPLICATION

– RSCK 1 for 4Input 2Output System

FEATURE

– High Reliability
– **RoHS Compliant**

ELECTRICAL SPECIFICATION

ITEM	SPECIFICATION	
Frequency Range	GSM18 A	1710MHz ~ 1880MHz
	GSM18 B	1710MHz ~ 1880MHz
	UMTS21 A	1920MHz ~ 2170MHz
	UMTS21 B	1920MHz ~ 2170MHz
Insertion Loss(dB)	4.7dB Max	
VSWR	1.4:1 Max	
Isolation in band	20dB Min	
Isolation out band	80dB Min	
Maximum Operating Power	100W CW Max per port	
In/Out Impedance	50 Ohms Nominal	

ENVIRONMENTAL SPECIFICATIONS

ITEM	SPECIFICATION
Operating Temperature	0°C to +55°C, Indoor Type

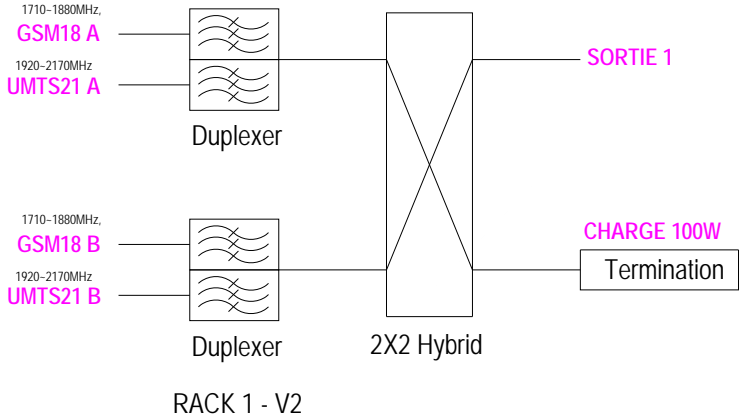
MECHANICAL SPECIFICATIONS

ITEM	SPECIFICATION
Dimension	482.6 x 273.0 x 133.2 (unit:mm)
Mounting Points	See Outline Drawing
RF Connector	7/16 DIN Female Connector
Connector Position	See Outline Drawing
Finish	Front Panel : Black Color Epoxy Coating Other panel : White Color Chromate

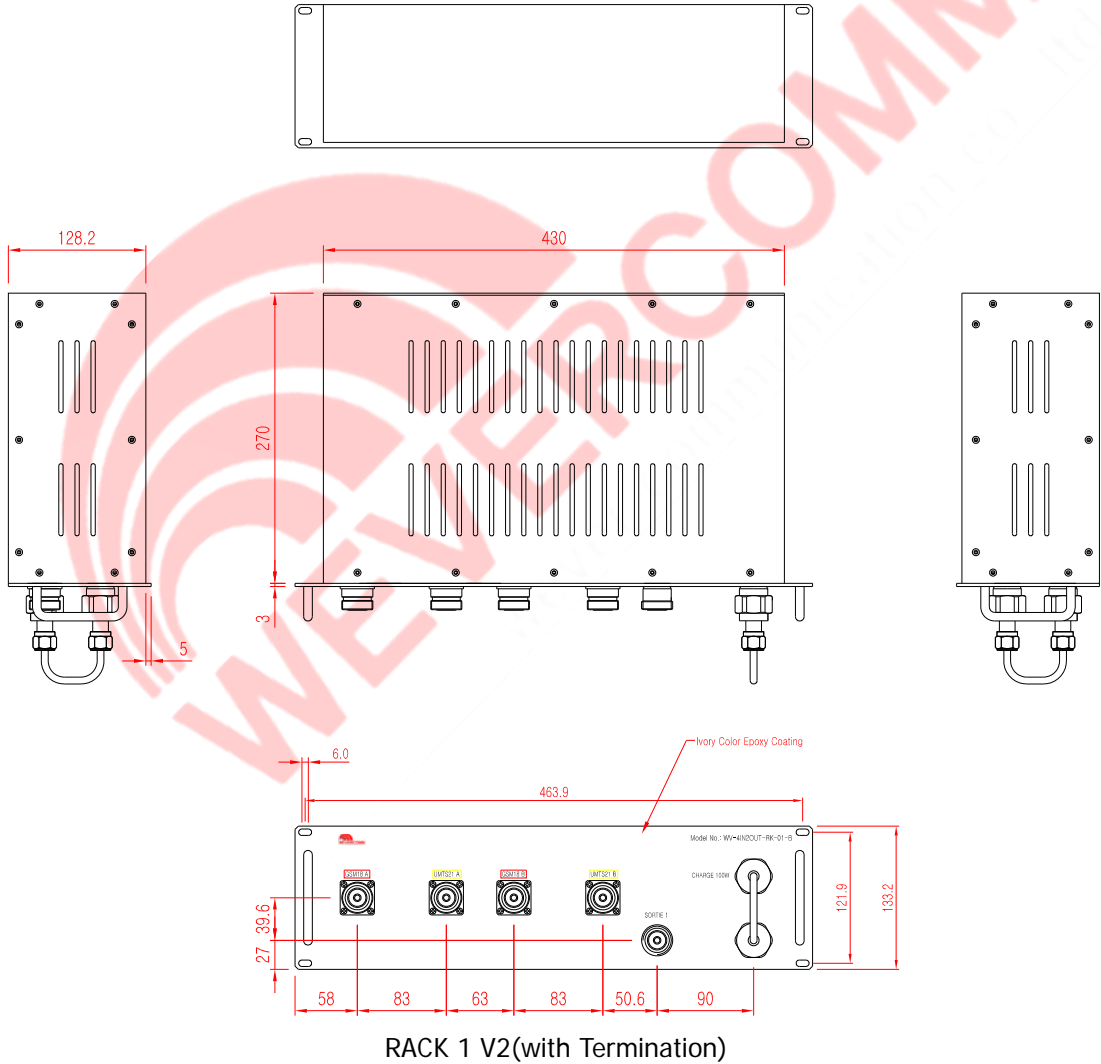
Option : Termination

FEU COMBINER

BLOCK DIAGRAM



OUTLINE DRAWING



Note :

- Front Panel Silk definition
- 1. All characters is black color.
- 2. GSM18 A, GSM18 B in red color(Box Style)
- 3. UMTS21 A, UMTS21 B in yellow color(Box style)